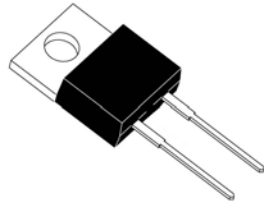


MUR510 THRU MUR560

5.0 A Super Fast Rectifiers



FEATURES

- * Low forward voltage drop
- * High current capability
- * High reliability
- * Low Power Loss, High Efficiency
- * Ultrafast 35 and 60 Nanosecond Recovery times

MECHANICAL DATA

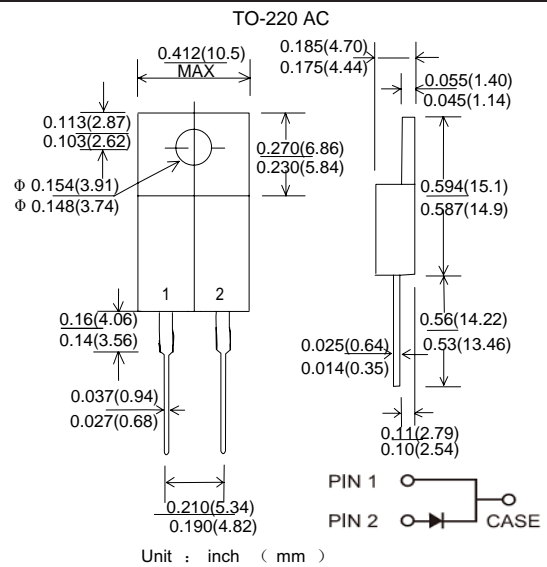
- * Case: Molded plastic
- * Epoxy: UL 94V-0 rate flame retardant
- * Lead: Axial leads, solderable per MIL-STD-202, method 208 guaranteed
- * Polarity: Color band denotes cathode end
- * Mounting position: Any
- * Weight: 1.98 grams

VOLTAGE RANGE

100 to 600 Volts

CURRENT

5.0 Ampere



Maximum Ratings and Electrical Characteristics

- * Rating at 25 °C ambient temperature unless otherwise specified.
- * Single phase, half wave, 60 Hz, resistive or inductive load.
- * For capacitive load, derate current by 20%

Type Number	Symbol	MUR510	MUR520	MUR530	MUR540	MUR550	MUR560	Unit
		CT	CT	CT	CT	CT	CT	
Maximum Repetitive Peak Reverse Voltage	VRRM	100	200	300	400	500	600	V
Maximum RMS Voltage	VRMS	70	140	210	280	350	420	V
Maximum DC Blocking Voltage	VDC	100	200	300	400	500	600	V
Maximum Average Forward Rectified Current	IF	5						A
Peak Forward Surge Current, 8.3 ms Single Half Sine-wave Superimposed on Rated Load (JEDEC method)	IFSM	120						A
Maximum Instantaneous Forward Voltage @5A	VF	1.0	1.3		1.7		V	
Maximum Reverse Current @ Rated VR TA=25 °C TA=125 °C	IR	10 400						uA
Typical Junction Capacitance (Note 1)	Cj	100						pF
Typical Thermal Resistance(Note 2)	RθJA	30						°C/w
Operating and Storage Temperature Range	TJ	-50--+150						°C
Maximum reverse recovery time (Note 3)	Trr	35						nS

NOTE1. Measured at 1.0 MHz and applied reverse voltage of 4.0V D.C.

NOTE2. Leads maintained at ambient temperature at a distance of 9.5mm from the case

NOTE3. Measured with IF = 0.5A, IR = 1.0A, IRR = 0.25A. See figure 5.

RATINGS AND CHARACTERISTIC CURVES (MUR510CT THRU MUR560CT)

FIG. 1- MAXIMUM FORWARD CURRENT DERATING CURVE

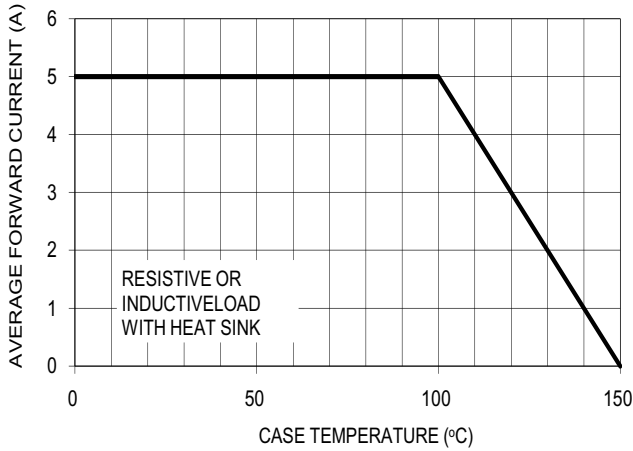


FIG. 2- TYPICAL REVERSE CHARACTERISTICS

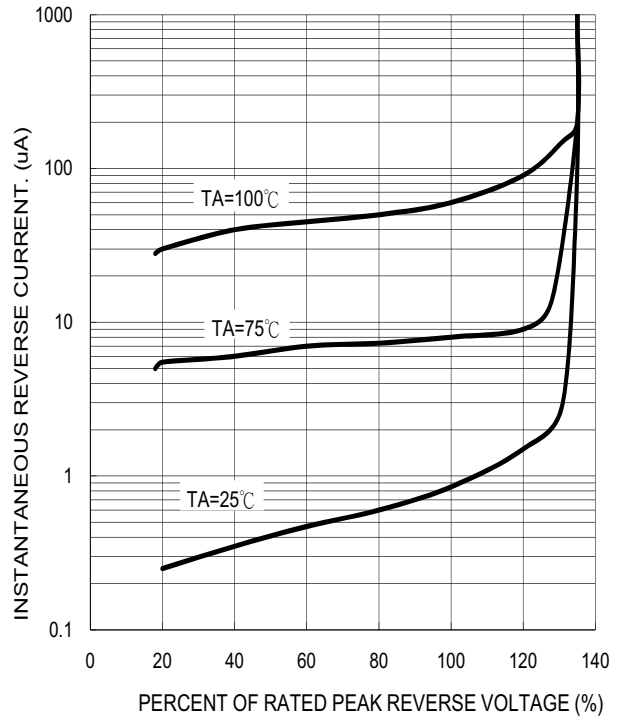


FIG. 3- MAXIMUM NON-REPETITIVE FORWARD SURGE CURRENT

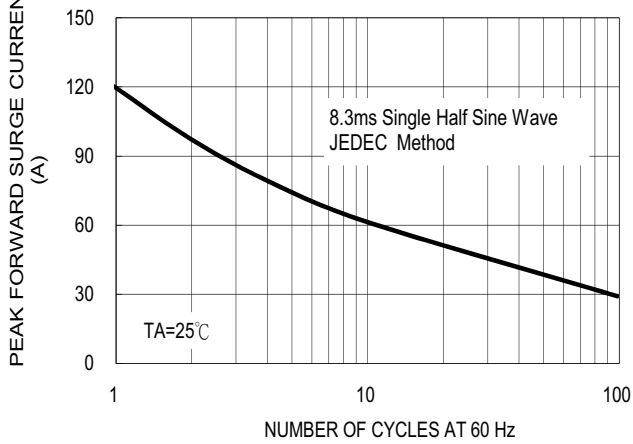


FIG. 5- TYPICAL FORWARD CHARACTERISTICS

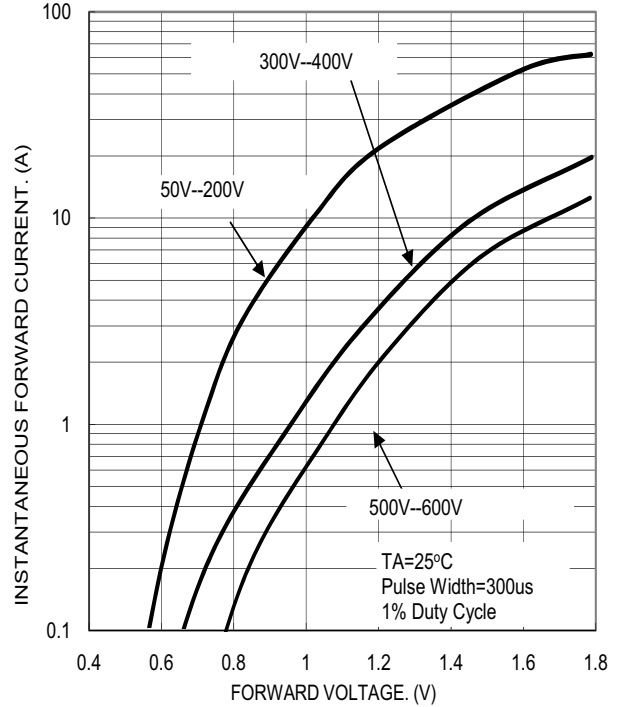


FIG. 4- TYPICAL JUNCTION CAPACITANCE

